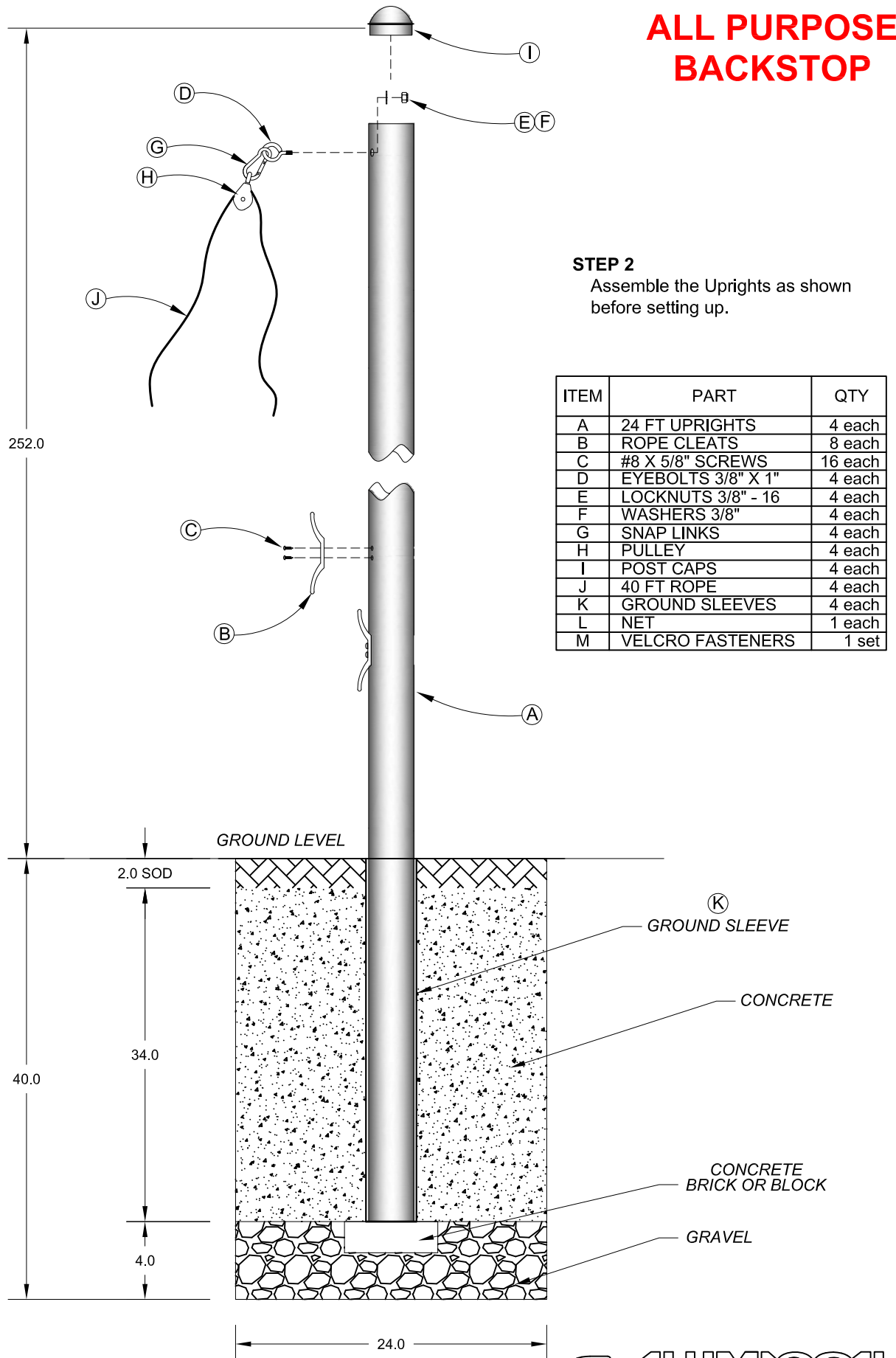


ALL PURPOSE BACKSTOP

NOTE: THE ALUMAGOAL ALL PURPOSE BACKSTOP WILL REQUIRE TWO OR MORE CAPABLE PEOPLE TO ASSEMBLE AND INSTALL.

- STEP 1 - Unpack all parts and check for any damage that may have occurred during shipping. If there is any damage contact the trucking company immediately.
- STEP 2 - Assemble the uprights attaching all hardware as shown on page 2.
- STEP 3 - Locate your ground sleeve positioning as shown on page 3
- STEP 4 - Dig 4 holes 40" deep and 24" across, filling the bottom with 4" of gravel and a block or brick to insure proper drainage.
- STEP 5 - Thread the 4 - 40' ropes (item J) through the 4 pulleys (item H) as shown on page 2, and tie off excess rope to the rope cleats (item B).
- STEP 6 - Put ground sleeves (item K) on uprights (item A). Stand upright in center of prepared hole. Sealing the joint between the sleeve and upright will prevent debris from entering sleeve.
- STEP 7 - Pour concrete to the top of ground sleeve while leveling upright (item A). Allow concrete to cure properly before proceeding.
- STEP 8 - Spread out net (item L) in front of uprights locating the 2 top corner squares. Permanently tie on end of the ropes (item J) while leaving the other end of the rope tied to the cleat. As shown on page 4.
- STEP 9 - Locate the proper place to tie off the 2 center ropes following Step 8.
- STEP 10 - With a person at each upright, hoist the net to it full height and tie off excess rope to cleats (item B).
- STEP 11 - Use Velcro net fasteners (item H) to secure net to upright, mainly the 2 outside uprights.

ALL PURPOSE BACKSTOP

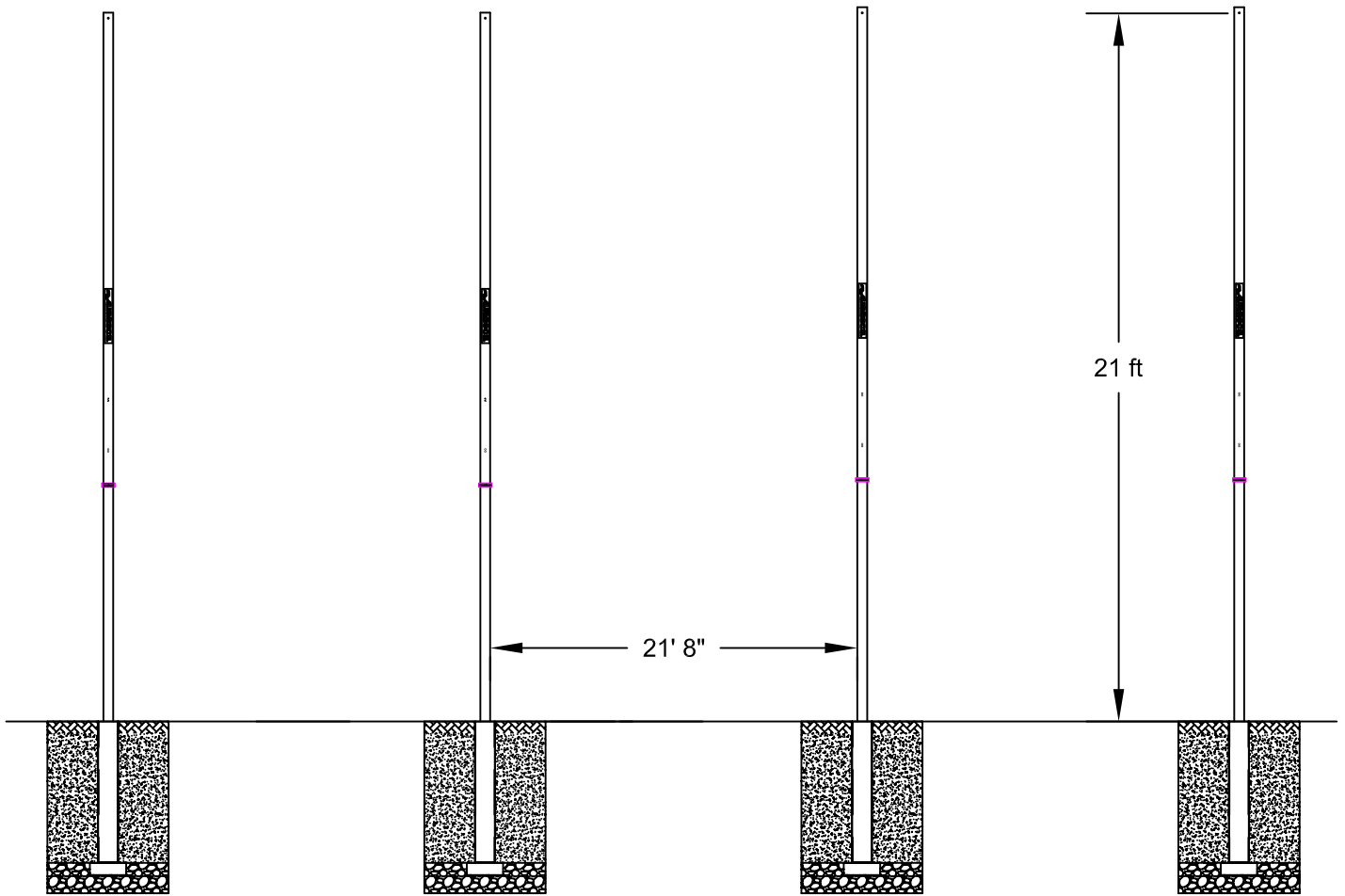
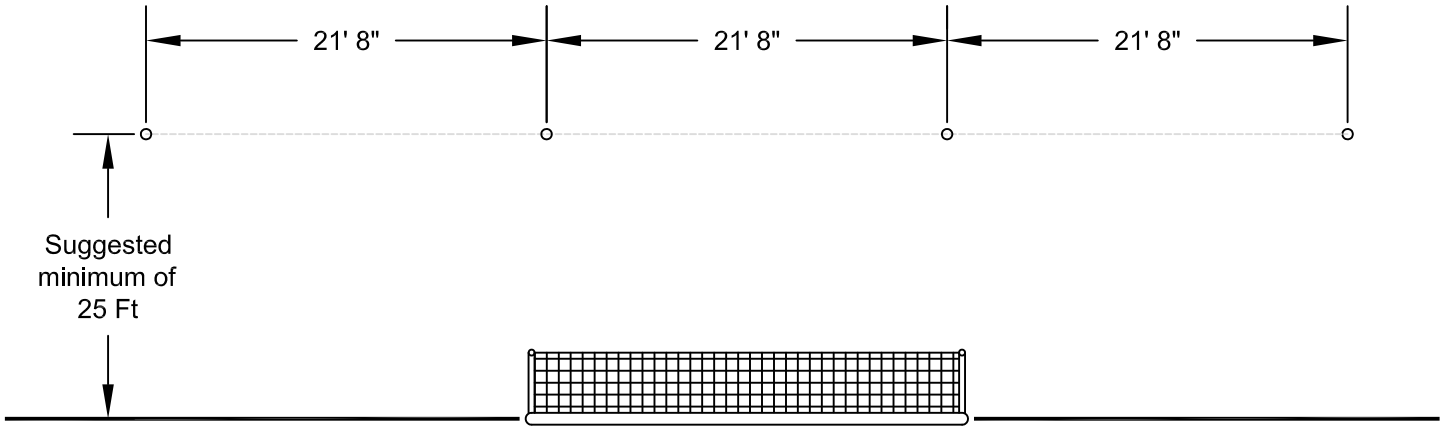


STEP 2

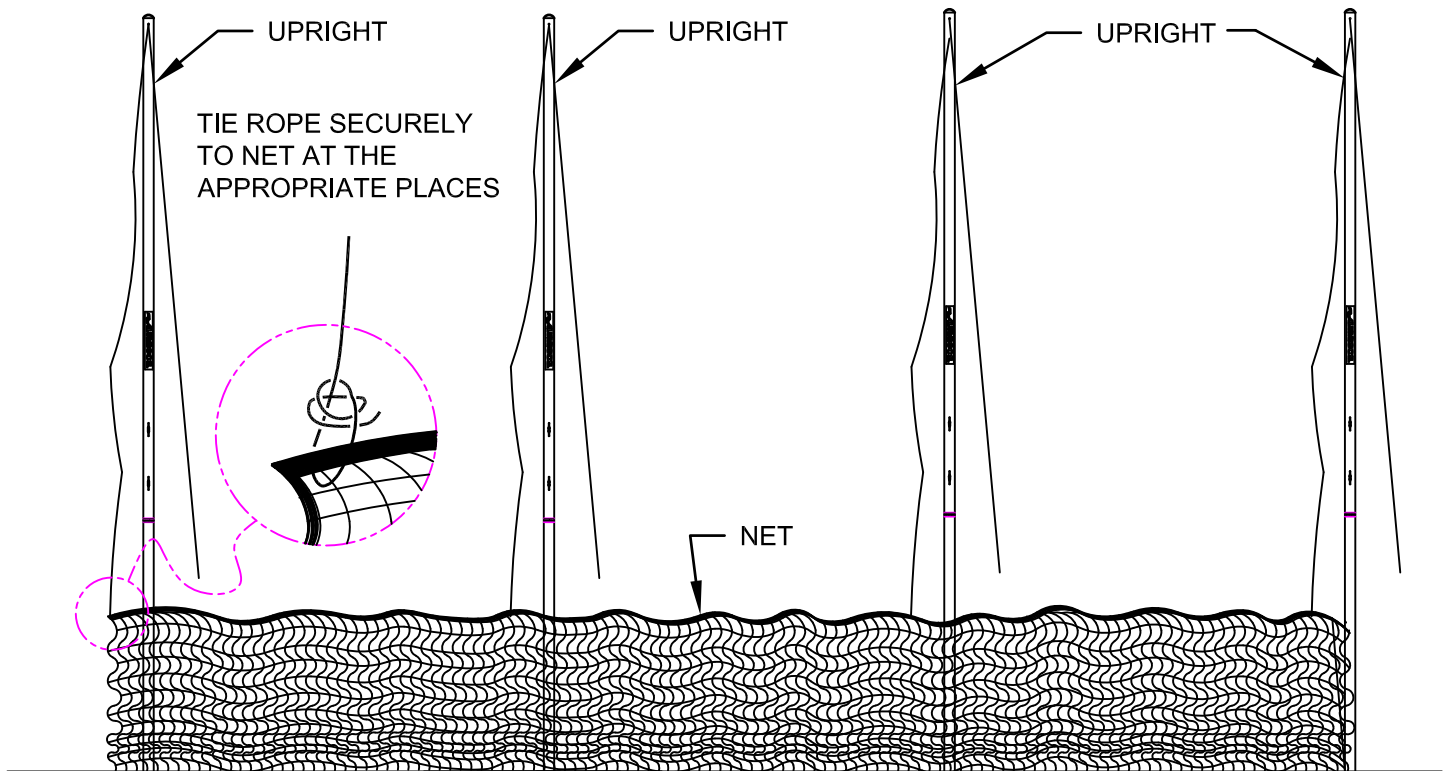
Assemble the Uprights as shown before setting up.

ITEM	PART	QTY
A	24 FT UPRIGHTS	4 each
B	ROPE CLEATS	8 each
C	#8 X 5/8" SCREWS	16 each
D	EYEBOLTS 3/8" X 1"	4 each
E	LOCKNUTS 3/8" - 16	4 each
F	WASHERS 3/8"	4 each
G	SNAP LINKS	4 each
H	PULLEY	4 each
I	POST CAPS	4 each
J	40 FT ROPE	4 each
K	GROUND SLEEVES	4 each
L	NET	1 each
M	VELCRO FASTENERS	1 set

Sleeve Placement



ALL PURPOSE BACKSTOP



HOIST THE NET EVENLY WITH A PERSON AT EACH UPRIGHT.

AFTER THE NET IS HOISTED TO DESIRED HEIGHT, TIE OFF THE ROPE ON THE ROPE CLEATS PROVIDED.

STRAP THE NET TO THE UPRIGHTS WITH THE VELCRO STRAPS.

MANUFACTURE STRONGLY RECOMMENDS THAT NETS ARE REMOVED FROM FRAME WHEN NOT USED FOR EXTENDED PERIODS OF TIME. ALSO DURING HIGH WINDS, ICE OR SNOW STORMS.